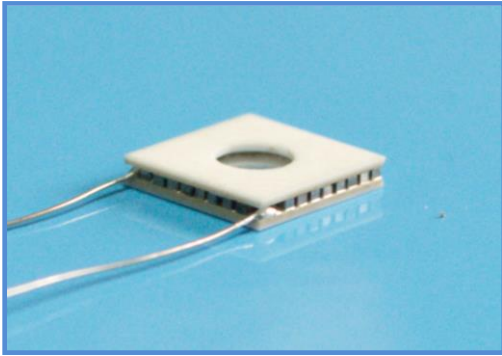




ENGINEERING & PRODUCTION



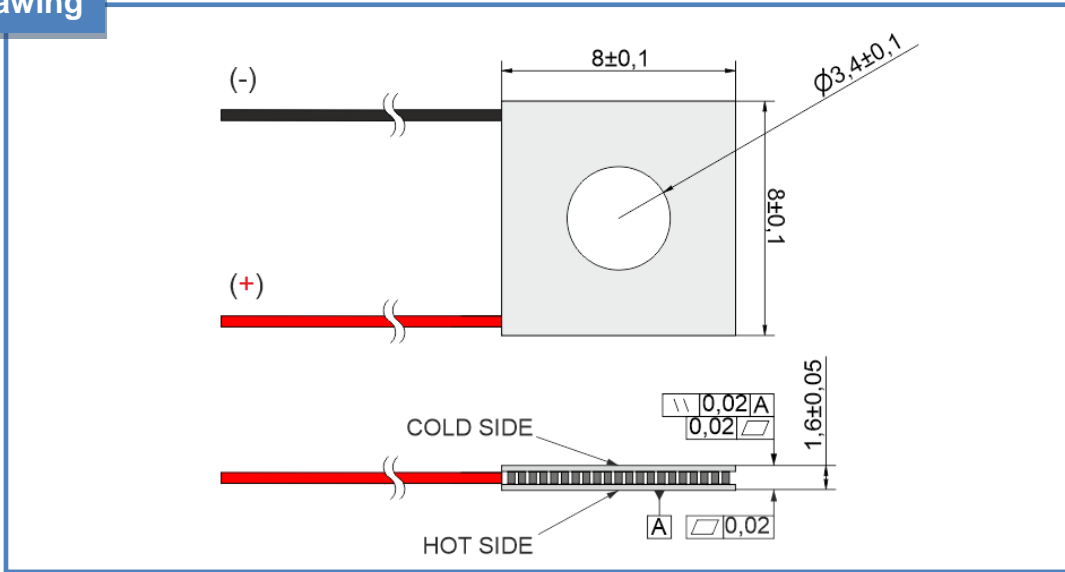
# Thermoelectric Cooling Module

## CBM-127-(4.0-3.2-7.6)-8-70-CH-3.4

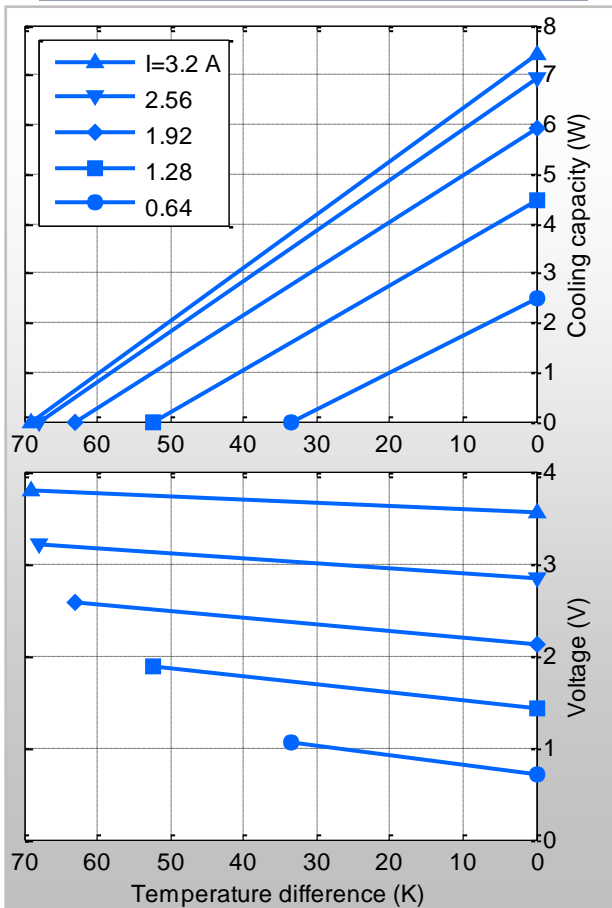
### Performance specifications

Hot side temperature Th (°C)	25	50
$\Delta T_{max}$ (°C)	70	77
Qmax (Watts)	7.6	8.6
I <sub>max</sub> (Amps)	3.2	3.2
V <sub>max</sub> (Volts)	4.0	4.4
Module resistance (Ohms)	1.1	1.25

### Drawing



### Performance Graphs at Th=25°C



### Performance Graphs at Th=50°C

