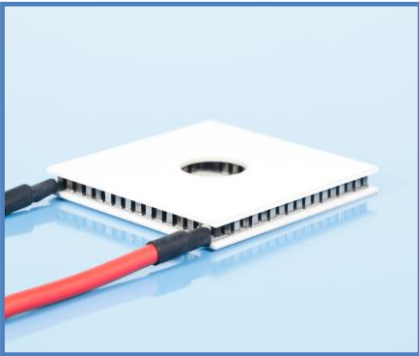




ENGINEERING & PRODUCTION



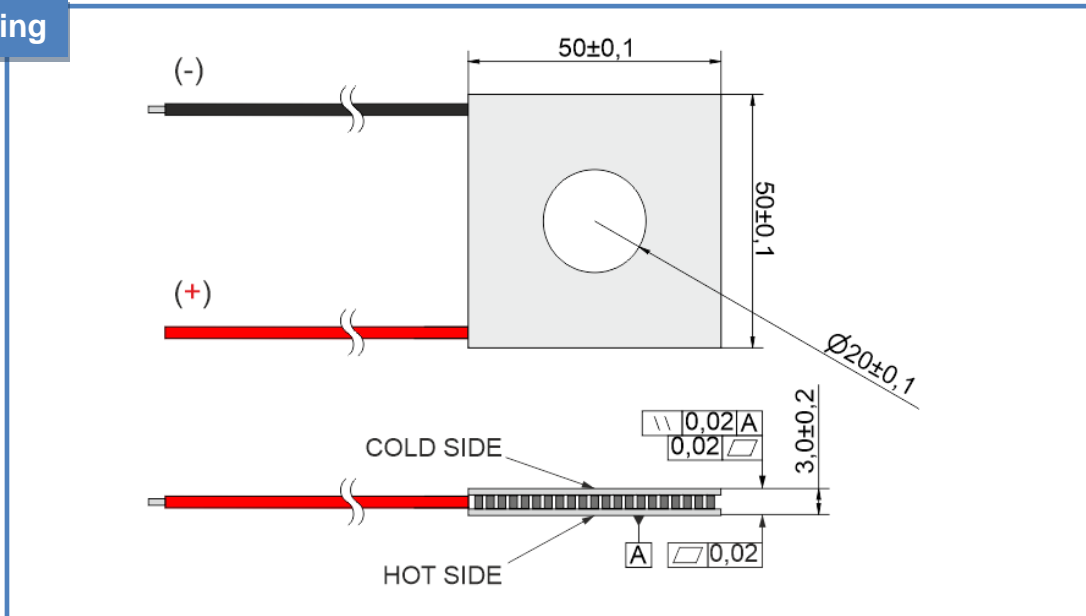
Thermoelectric Cooling Module

TECB-161-243-(15.4-3.6-29.7)-50/50-70-CH

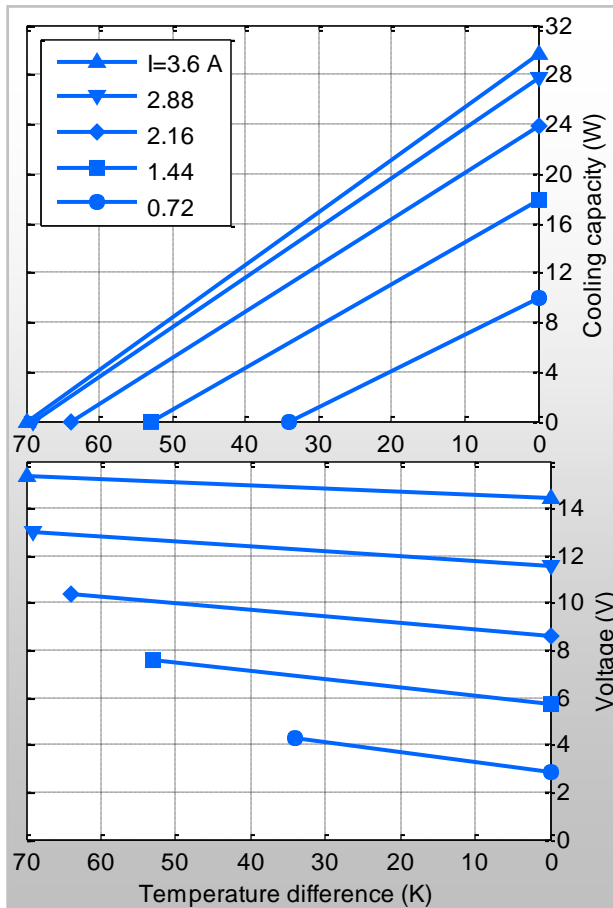
Performance specifications

Hot side temperature Th (°C)	25	50
ΔT_{max} (°C)	70	81.1
Qmax (Watts)	29.7	33.1
I _{max} (Amps)	3.6	3.6
V _{max} (Volts)	15.4	17.3
Module resistance (Ohms)	4	4.6

Drawing



Performance Graphs at Th=25°C



Performance Graphs at Th=50°C

